

# Triton™ 2 Plus Solid State Hard Drive



## Tactical Communications | Triton 2 Plus

The Triton 2 Plus™ SATA 3.0 solid state hard drive is a 2.5" form factor, high-performance, ultra-rugged SSD. Equipped with industrial temperature Single-Level Cell (SLC) flash and C&CT's years of military program experience, the Triton 2 Plus is hardened to withstand the harshest environments possible.

Triton 2 Plus SSDs support the SATA revision 3.0 interface standard at up to 6.0 Gb/s. Triton 2 Plus takes advantage of this standard by delivering sustained reads up to 468MB/s and sustained writes up to 458MB/s. A robust interface is ensured by integrated hardware support for on-the-fly, per sector error detection and correction. The resulting Bit Error Rate is less than one in a hundred trillion bits read.

Secure erase functionality features four different agency-approved enhanced erase methods. Erasure can be initiated by either software command or hardware signal.

Rigorously tested and independently verified to MIL-STD-810, the ultra-rugged Triton 2 Plus SSD will perform flawlessly in severe conditions. With optional silicone, urethane or Parylene conformal coating, 96 hour burn-in, extreme temperature screening, epoxy staking and gel fill, the Triton 2 Plus can adapt to any environment imaginable.

Designed and manufactured in the USA at AS9100-certified facilities, C&CT manufactures the most reliable and rugged solid state drives available.

### Features

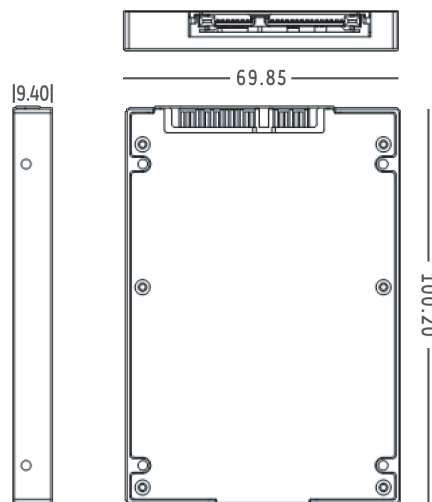
- Support of the SATA 3.0 specification at 1.5, 3.0, and 6.0 Gb/s
- Provides secure erase capability for quick, safe removal of data
- Independently tested to MIL-STD-810 for proven ruggedness

### Applications

- Hardened Servers, Data recorders, Surveillance equipment
- Avionics, cockpit instrumentation, flight controls, flight data recorders
- Unmanned aerial, ground-based and sub-maritime vehicles
- Radar & guidance systems
- Submarines
- Gas & Oil platform's displays and sensors
- Extreme shock, vibration and temperature environments
- Whenever non-C&CT SSD's fail

## Specifications

Performance	
Capacity (SLC)	Raw: 128.0GB, 256.0GB, 512.0GB Usable: 119.2GB, 238.4GB, 476.8GB
Sustained Read (512GB SSD)	Up to 468 MB/s
Sustained Write (512GB SSD)	Up to 458 MB/s
Random Read, 4KB blocks (512GB SSD)	> 42,500
Random Write, 4KB blocks (512GB SSD)	> 12,300
Security Erase Methods	
Fast Erase, NSA 9-12, CSS 130-2, RCC-TG IRIG 106-07	
Power	
Input Voltage	+5VDC ± 10%
Read Max (512GB SSD)	1.9W
Write Max (512GB SSD)	6.25W
Max. In-rush Current (512GB SSD)	3.5A
Reliability	
MTBF	> 1.5 million hours, Telcordia 25° C
Data Reliability	< 1 non-recoverable error in 10 <sup>14</sup> bits read
Data Retention	> 10 years when new
Endurance	Up to 12 PBW (capacity dependent)
Wear-Leveling	Proprietary static and dynamic algorithms
Environment	
Operating Temperature	-40°C to +85°C
Storage Temperature	-55°C to +95°C
Humidity	5% - 95% relative humidity, non-condensing
Shock	1,500G to 0.5ms, Half Sine Wave
Vibration	16.3G RMS inimum
Mechanical	
Dimensions (mm)	ATA Standard (Indicated in the graphic below)



\*GPIO header used for write protect feature or to hardware trigger an erase method

Entire enclosure is machined, anodized aluminum

- Packaging options:
- Conformal coat
  - Silicone gel fill
  - Epoxy staking

\*Secure Erase is available on secure drives only

### Triton 2 Plus Security Enhancements

- TCG/Opal 2.0 Compliant
- Hardware-based AES-256 encryption engine
- ATA security feature command set and password login support
- Secure erase (data page) command set: fast and military secure erase protocol
- Sanitize device feature set support

### Contact

#### CCT Production Facility

212 Outlook Point Drive  
Suite 101  
Orlando, FL 32809

[www.ssd.comtech-cct.com](http://www.ssd.comtech-cct.com)

## About Comtech

Comtech Telecommunications Corp. (Nasdaq: CMTL) designs, develops, produces and markets innovative products, systems and services for advanced communications solutions. The Company sells products to a diverse customer base in the global commercial and government communications markets. For more information visit [www.comtechtel.com](http://www.comtechtel.com).

### Command & Control Technologies™

275 West Street  
Annapolis, MD 21401 USA  
Toll Free: 1.800.557.5869  
Outside US: +1.410.263.7616  
[www.comtechtel.com](http://www.comtechtel.com)